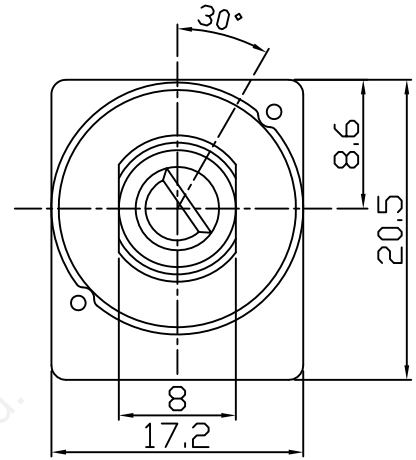
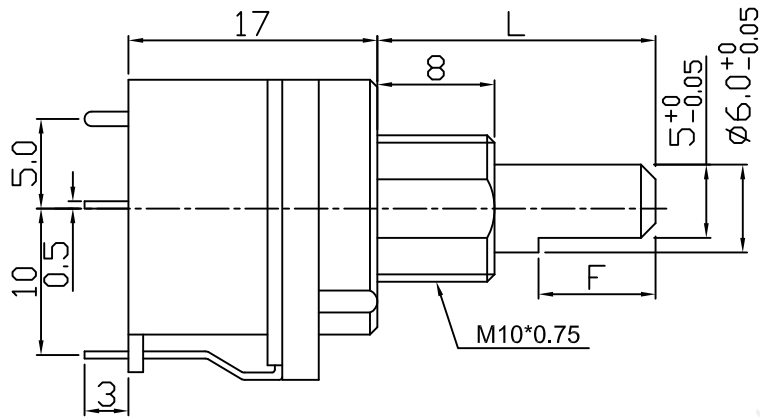
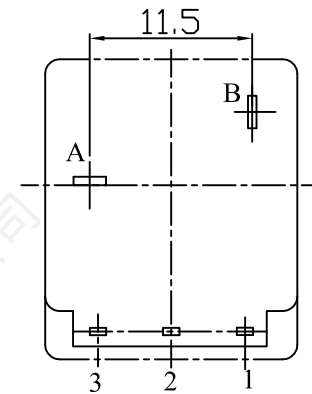
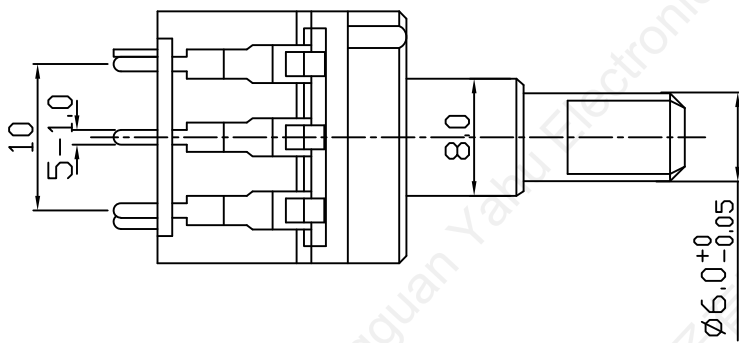




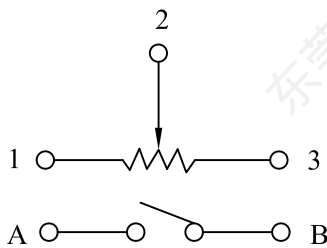
### Mechanical Dimensions



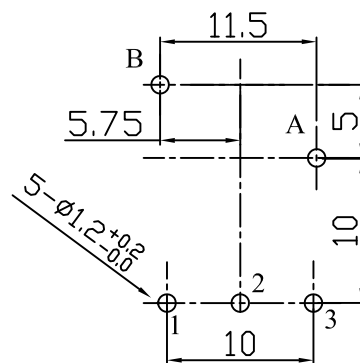
Shaft shown in full C.C.W. position



### Circuit Explanation



### Mounting Hole



东莞市雅弧电子有限公司 DongGuan YaHu Electronic Co.,Ltd.				PRODUCT NAME	17mm Rotary Potentiometers	
2				MODEL NAME	RV17R2S- $\square$ D1-Value	
1					X	
NO	DATE	DESCRIPTION		APPROVED BY	CHECKED BY	DRAWN BY
		DIMENSION	TOLERANCE	SCALE		
		$l \leq 10$	$\pm 0.2$	UNIT	mm	
		$10 < l \leq 30$	$\pm 0.5$	VER.		
		$30 < l \leq 100$	$\pm 1.0$	DATE	07/06/02	

R & D  
2013.08.13  
Lisa



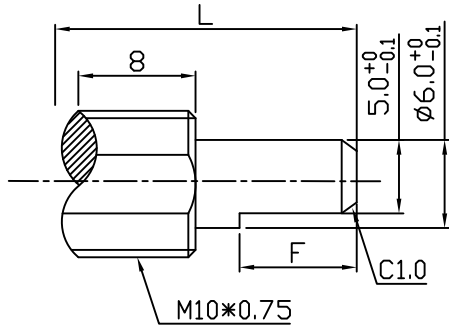
# 一、旋轉式電位器系列技術規格書

## Rotary Series Potentiometers Technic Specifications

1. 電氣性能 (Electrical Characteristic)				
序号	項目		特性	
1.1	全阻抗值 ( Total Resistance)		1KΩ ~ 1MΩ	
1.2	全阻抗值允許偏差 ( Total Resistance Tolerance)		±10%, ±20%	
1.3	電阻隨溫度變化特性 ( Resistance of temperature change character)		20°C-75°C: ΔR/R ≤ ±5%, -25°C-20°C: ΔR/R ≤ ±4.5%	
1.4	阻值變化特性 ( Resistance Taper)		A, B	
1.5	零位阻值 ( Residual Resistance)		R ≥ 250KΩ 0.1% max. of total resistance 250KΩ > R > 10KΩ 20Ω 10KΩ ≥ R 10Ω max.	
1.6	額定功率 ( Rated Power)		B curve: 0.2W Other than B curve: 0.05W	
1.7	最高使用電壓 ( Max. Operating Voltage)		AC 250V at 50°C	
1.8	動雜音 ( Rotational Noise)		Less Than 100mV	
1.9	絕緣阻抗 ( Insulation Resistance)		More than 100MΩ at DC250V	
1.10	耐電壓 ( Withstand Voltage)		For 1 minute at: DC500V	
1.11	開關接觸電阻 ( Switch Contact Resistance)		Less than 100mΩ	
1.12	開關的額定功率 ( Switch Rated Power)		AC250V 10A	
2. 機械性能 ( Mechanical Characteristics)				
2.1	全回轉角度 ( Rotation Angle)		300° ± 5°	
2.2	旋轉力矩 ( Rotation Torque)		10 ~ 150gf.cm	
2.3	軸的拉、押強度 ( Pull-Push Strength)		8Kgf.cm	
2.4	轉動止檔強度 ( Rotational Stop-End Torque)		5kgf.cm	
2.5	焊錫耐熱性 ( Resistance To Soldering Heat)		260 ± 5°C and less than 3 seconds	
2.6	Click position C.C. 位置		16 Click , 30 Click	
2.7	開關操作力 ( Switch Action)		80 ~ 250gf.cm	
3. 耐久性能 (Durability)				
3.1	操作溫度 ( Operating Temperature)		-10°C ~ 70°C	
3.2	回轉壽命 ( Rotation Life)		15,000 Cycles	
4. 外形尺寸圖/曲線特性圖 (Shape size drawing/curve characteristic drawing)			見附頁 ( Please see attachment)	
批 准		審 核		設 計



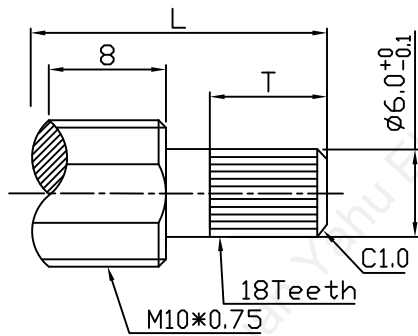
# RV17 Rotary Switch SERIES SHAFT TYPE



F 轴

F TYPE:

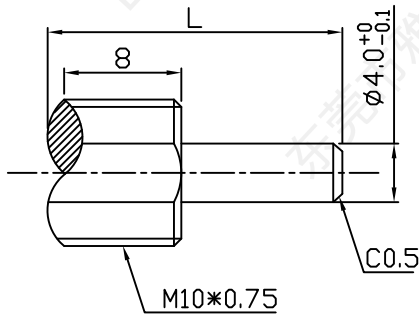
X	1	2	3
L	17	19	
F	8	8	



KQ 轴

KQ TYPE:

X	B	C	
L	17		
T	8		



S 型细圆轴

S TYPE:

X	19	
L	19	

